

MEMORIAL TYPES



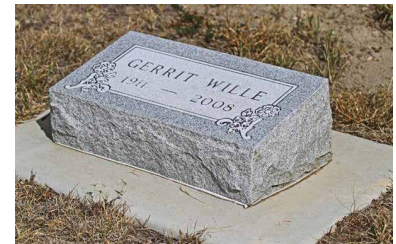
GRASS MARKERS/FLAT MARKERS

A grass marker (or flat marker) is a marker that sits flush with the ground. Ground maintenance is generally easier with a flat marker because lawnmowers can pass over it without hitting the stone. The marker typically measures 4 inches from the ground up to the top of the granite. Standard measurements are: single - 24 inches long, 12 inches wide and 4 inches high; companion - 48 inches long, 12 inches wide and 4 inches high. Some cemeteries only allow flat markers in specific sections, so check with your cemetery sexton to determine what is allowed in your area.



BEVEL MARKERS/HICKEY MARKERS

A bevel marker, also known as a hickey marker, sits flat on the ground. It measures 6 inches high at the back of the stone and 4 inches high at the front of the stone, giving the face a 2 inch drop or beveled top. Standard measurements for bevels are similar to grass markers: single - 24 inches long, 12 inches wide and 6 inches high; companion - 48 inches long, 12 inches wide and 6 inches high. Bevel markers do not sit flush with the ground and cannot be used in place of a flat marker.



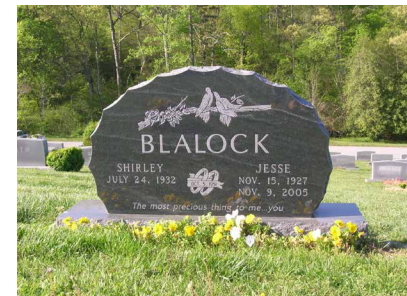
SLANTS

A slant memorial has a straight back, a flat bottom and a slanted face. It can have an oval, serpentine or straight top. The bottom is typically 10" wide from front to back and tapers up to the top. This means that the slant can be set directly on the ground or concrete pad without needing a granite base for support. Some families do prefer to have a granite base under the slant for height. A single slant typically measures 24 inches long, 10 inches wide and 16 inches high; a companion slant will measure 48 inches long, 10 inches wide and 16 inches high.

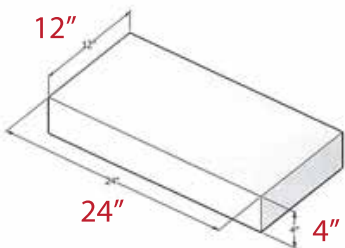


UPRIGHT MONUMENTS

Upright monuments are the most popular memorials. They have a wide variety of shapes, sizes and finishes. The die (or tablet) can range in thickness from 6 inches to 12 inches. Typical measurements for a single die is 24 inches in length, 6 inches thick and 20 to 24 inches high. The base will measure 36 inches long, 12 inches wide and 6 inches high. For a companion monument, the standard measurement for the die can range from 42 to 48 inches long and have a base of up to 60 inches in length. These sizes are standard but can be made larger or smaller, depending on preference.

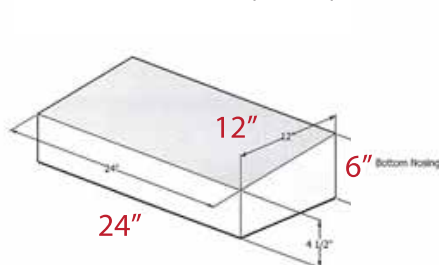


MEASUREMENTS 1-0 = 12 inches (or 1'0")



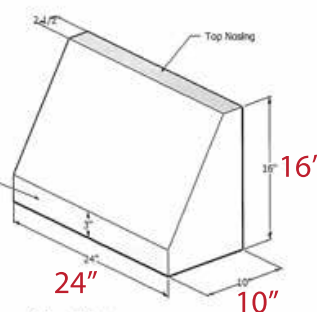
Single Flush
Flush 24 x 12 x 4

24 x 12 x 4 is the same as
2-0 x 1-0 x 0-4



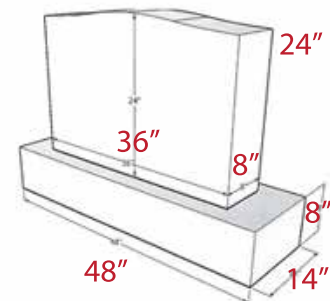
Single Bevel
Bevel 24 x 12 x 6

24 x 12 x 6 is the same as
2-0 x 1-0 x 0-6



Single Slant
Slant: 24 x 10 x 16

24 x 10 x 16 is the same as
2-0 x 0-10 x 1-6



Double Monument
Tablet: 36 x 8 x 24
Base: 48 x 14 x 8